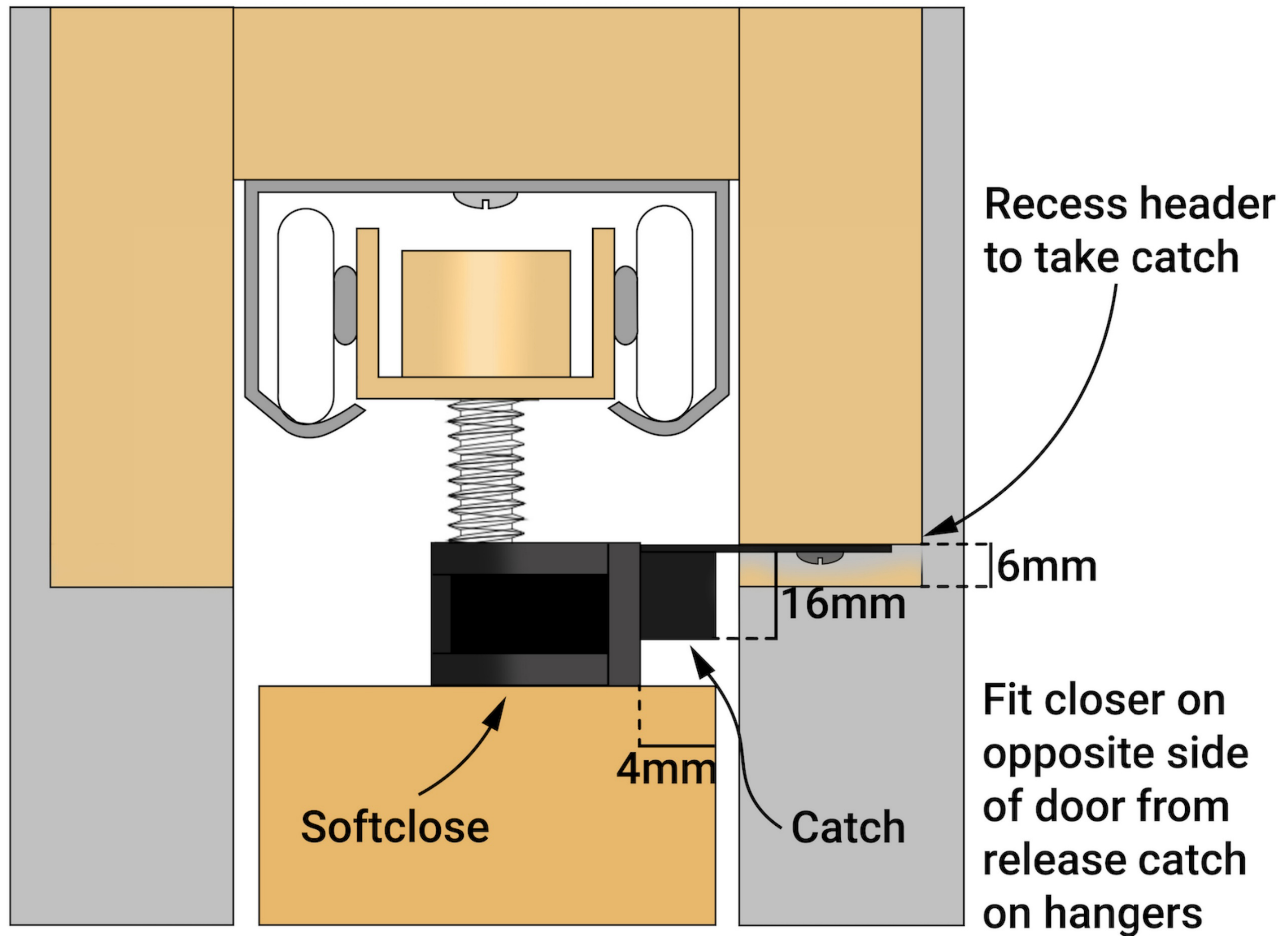


SOFTCLOSE INSTALLATION FOR POCKET DOOR KIT

Our Pocket door kits can be paired with a softclose device. Information on how to install this is shown below.

Please be aware that the catch on the softclose must be recessed into the header as shown.

Once the catch is fitted, make sure that it will not come into contact with the hanger plates as they pass



The below diagram shows the device fitted (as a view from above). This shows the placement of both softclose and catch. These measurements are determined when the door is closed and flush against the door jamb.

After installment of the device, test and adjust the catch if needed. Once you are satisfied that the device is working as required, line the opening. Check that any architraves can be removed if there is a need to adjustment or repair in the future.

