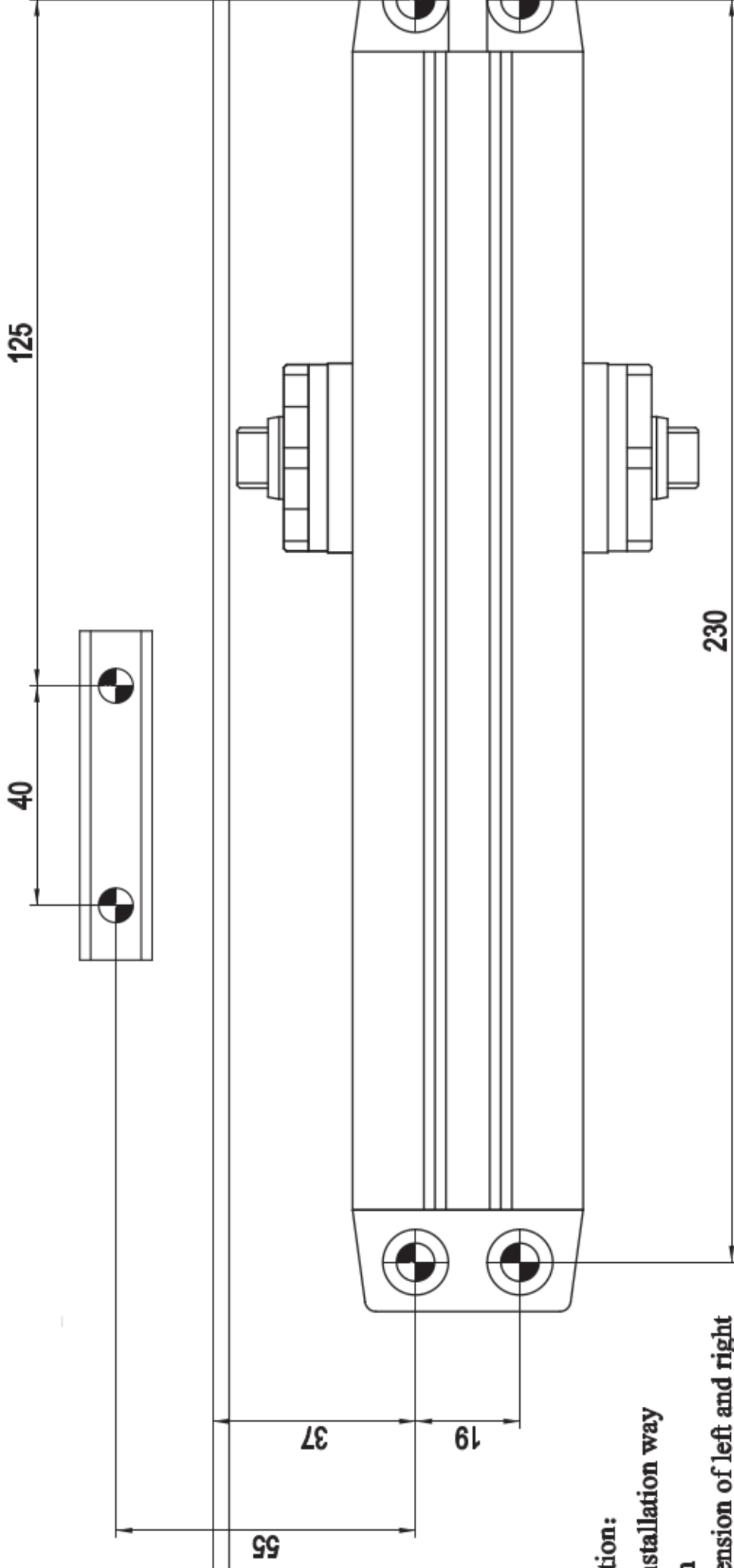


Installation

SIZE EN2-4



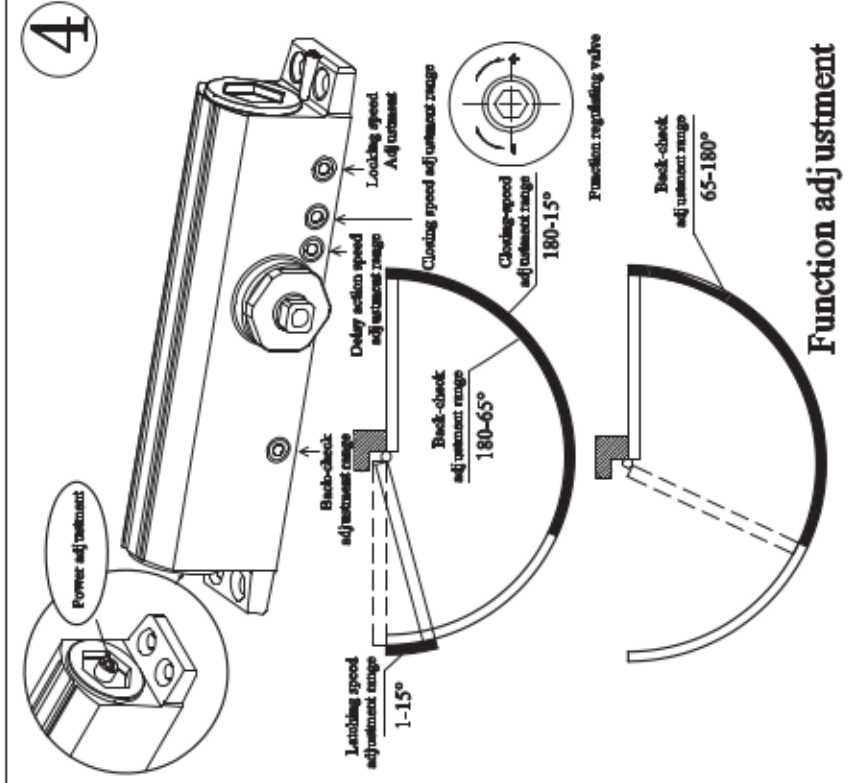
Frame

Door

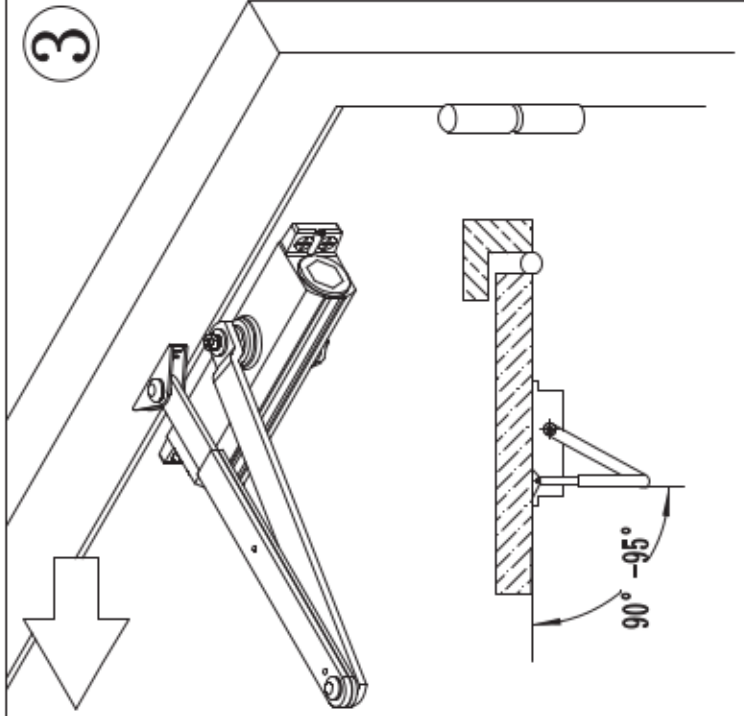
Hinge edge

Attention:

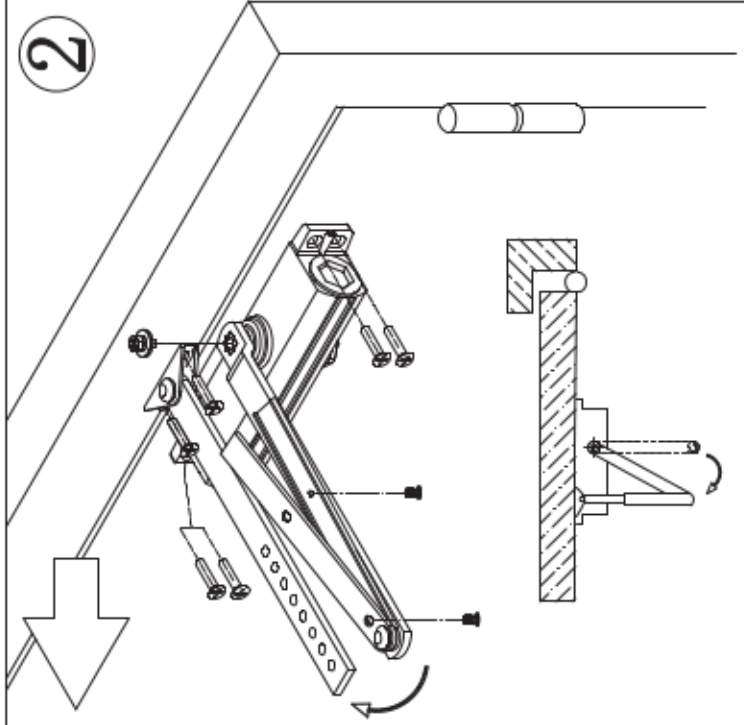
1. Determine the installation way before installation
2. Installation dimension of left and right hand door are same
3. Attention to the direction of the speed control valve installation



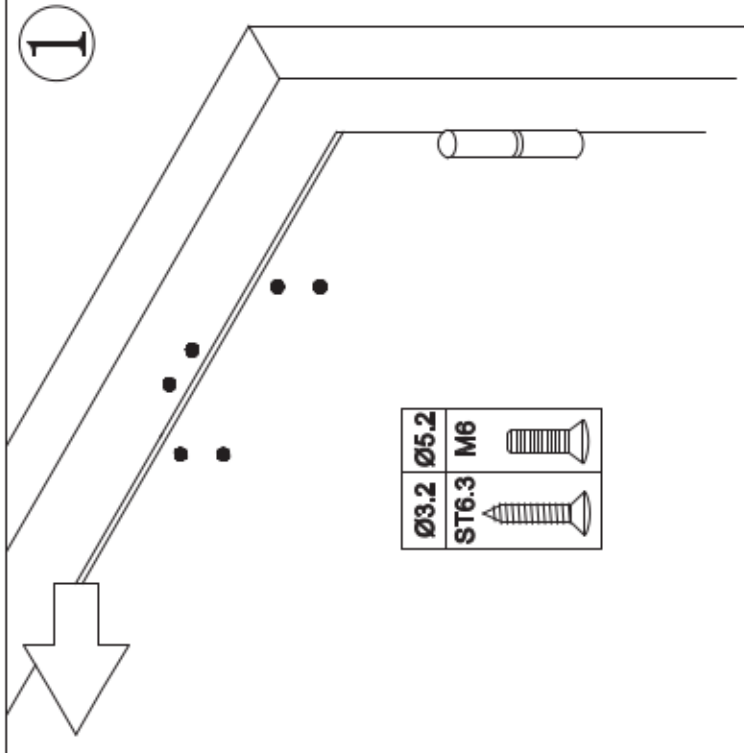
Function adjustment



Diagrammatic sketch after installation
Attention: Keep the fore-arm be perpendicular with frame



Fix the main body and shoe as the schematic diagram, then connect the connecting rod and the cover of connecting rod.



According to the size of the chart, drilled the corresponding screw holes in the door and frame.