

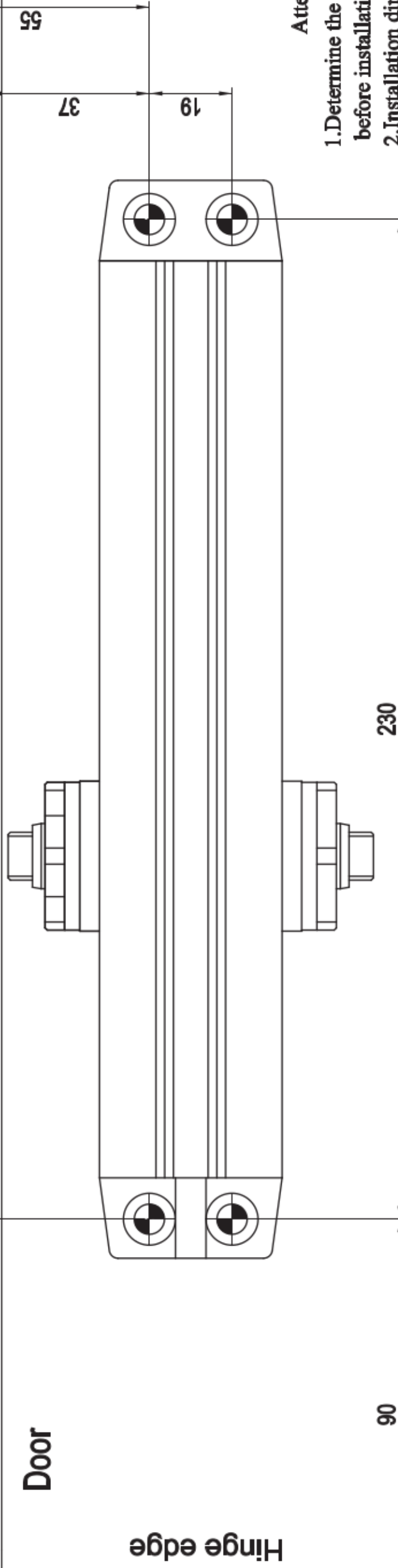
Installation

SIZE EN2-4

Frame



Door

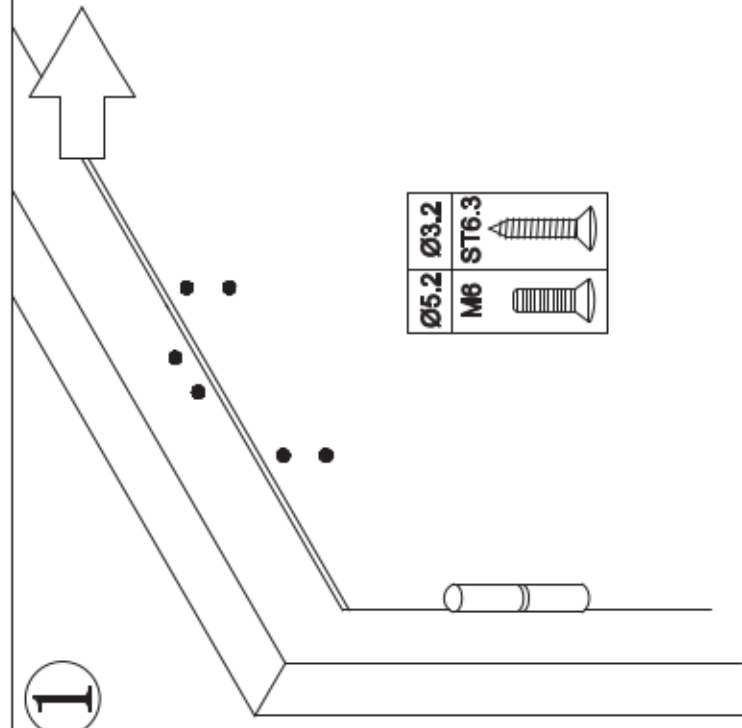


Hinge edge

Attention:

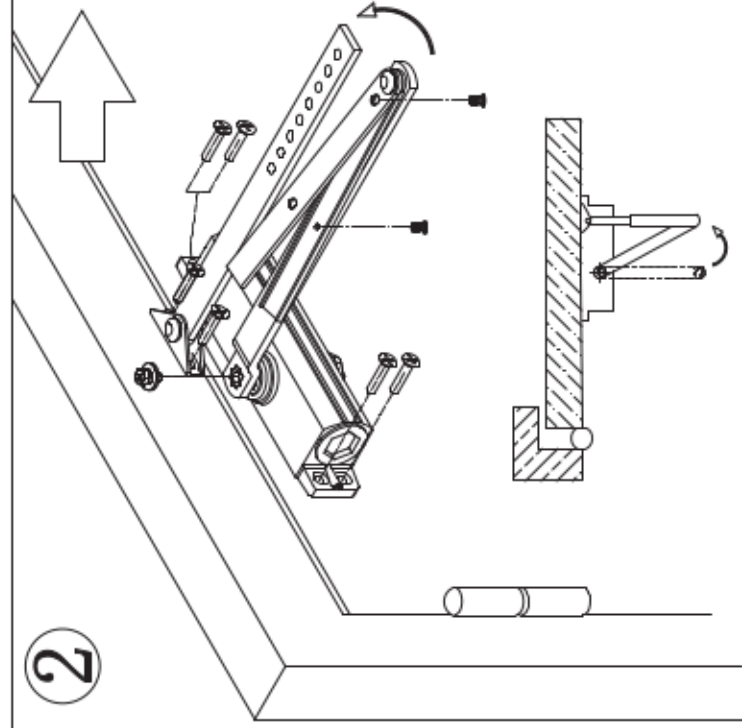
1. Determine the installation way before installation
2. Installation dimension of left and right hand door are same
3. Attention to the direction of the speed control valve installation

1



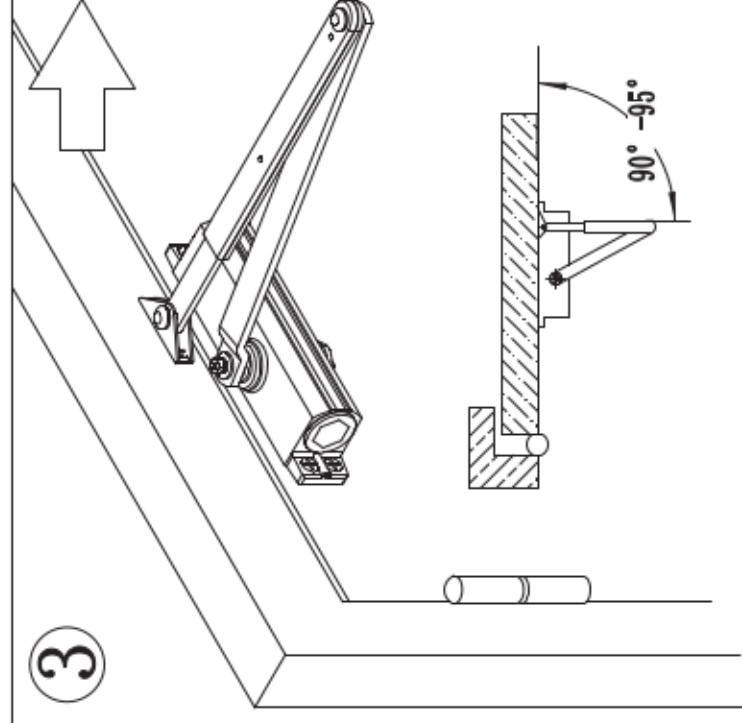
According to the size of the chart, drilled the corresponding screw holes in the door and frame.

2



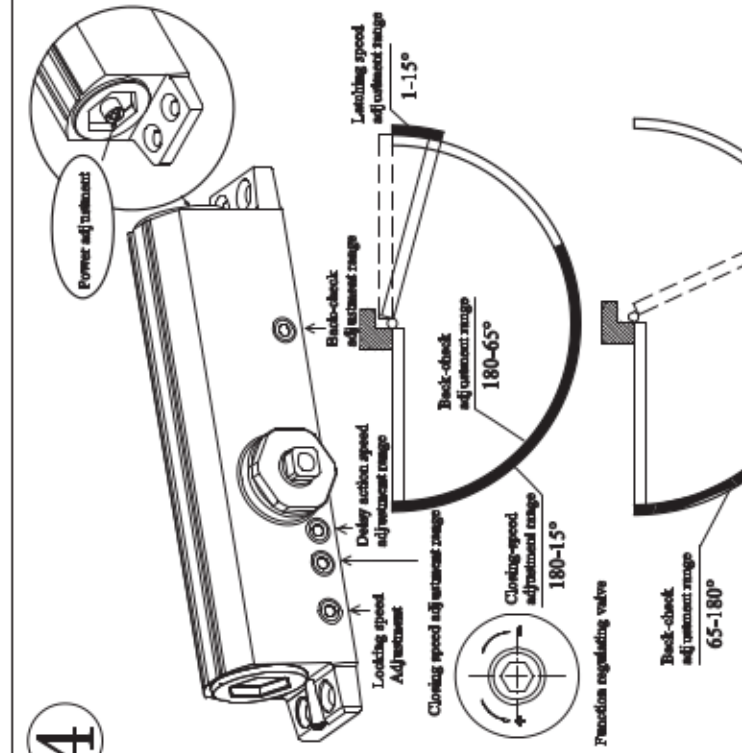
Fix the main body and shoe as the schematic diagram, then connect the connecting rod and the cover of connecting rod.

3



Diagrammatic sketch after installation
Attention: Keep the fore-arm be perpendicular with frame

4



Function adjustment