



Installation Instructions

SIZE EN3

Frame

Door

Ø3.2	Ø6.2
ST6.3	M6
	

145

168

95

Hinge edge

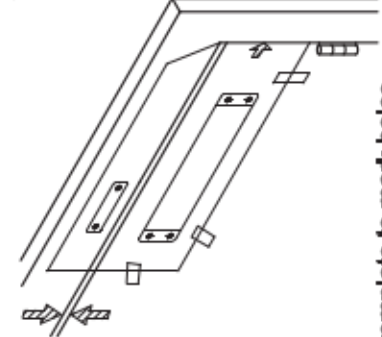
45

50

22

19

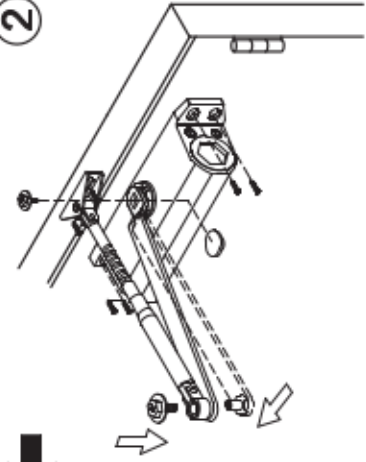
1



Use template to mark holes for closer body and arm pivot bracket



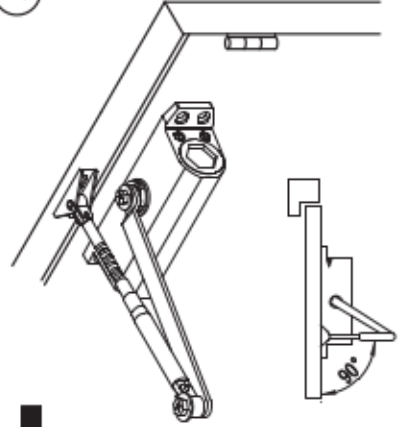
2



Arm pivot bracket assembly into position and fix closer body to the marked holes.



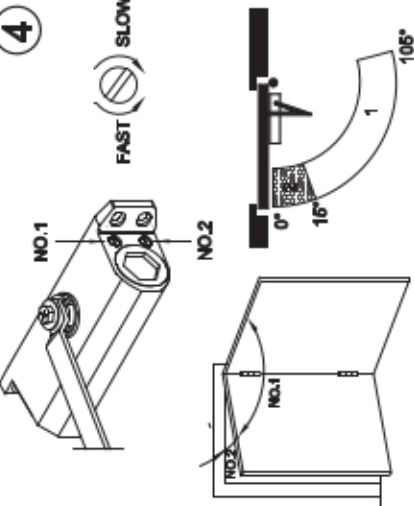
3



standard drawing



4



Adjust closing speed

FAST SLOW

NO.1

NO.2

