

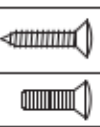
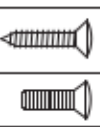
Installation Instructions

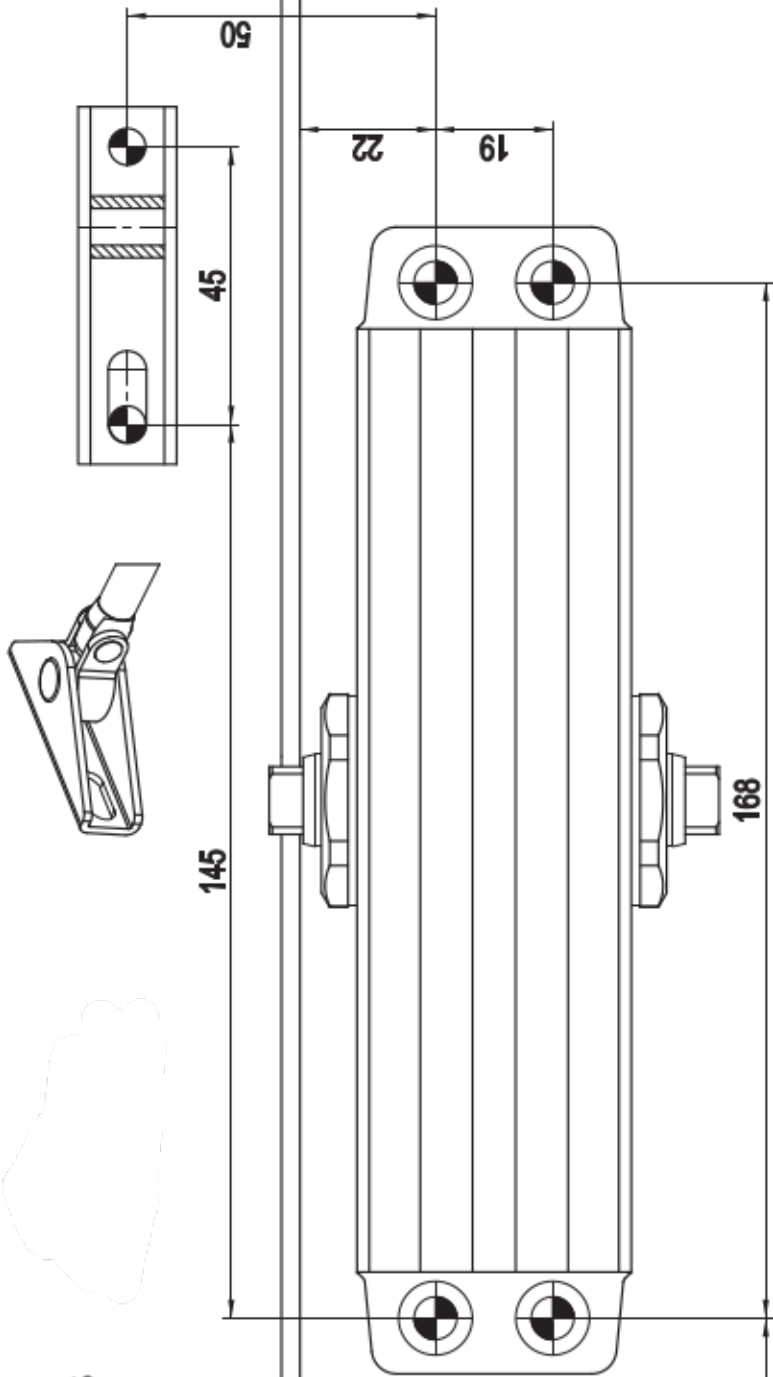
SIZE EN3

Frame

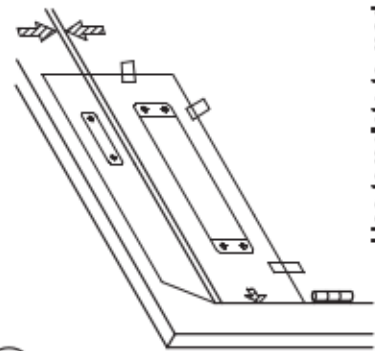
Door

Hinge edge

Ø6.2	Ø3.2	
M6	ST8.3	

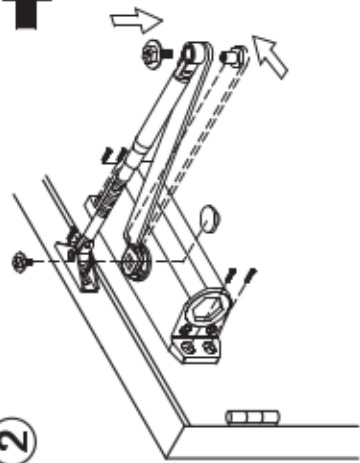


1



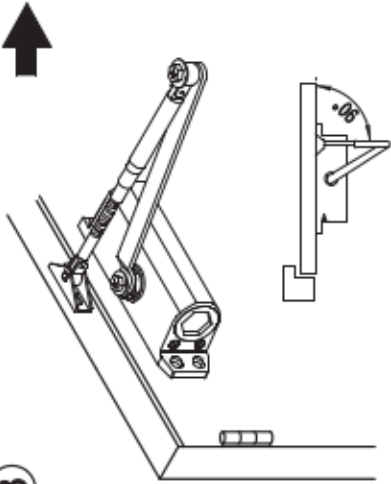
Use template to mark holes for closer body and arm pivot bracket

2



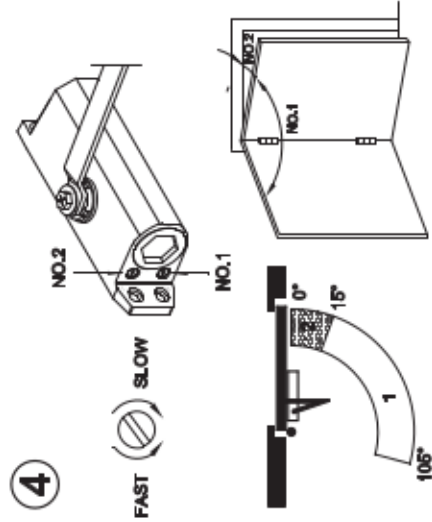
Arm pivot bracket assembly into position and fix closer body to the marked holes.

3



standard drawing

4



FAST SLOW

Adjust closing speed